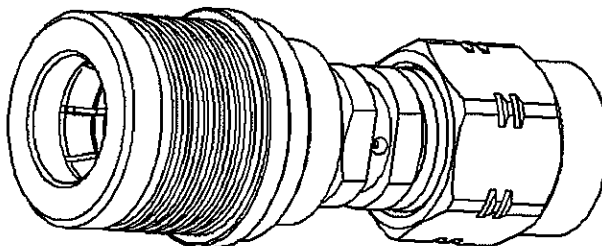
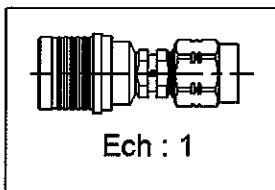
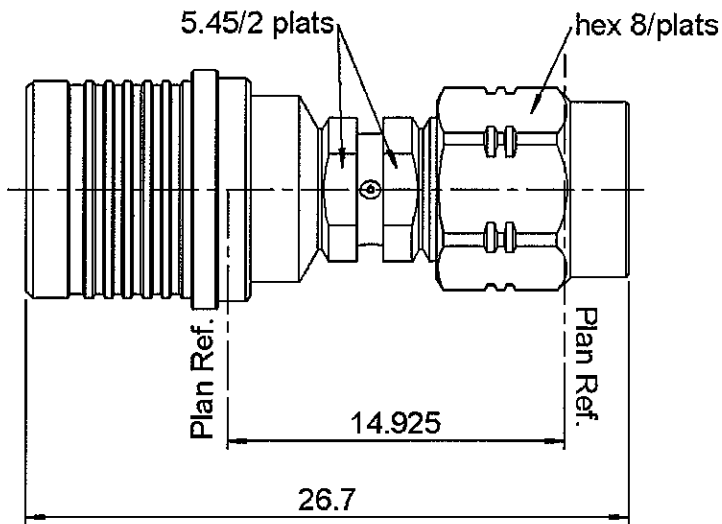


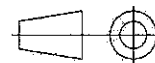
QMA MALE - SMA MALE STRAIGHT ADAPTER

R191.910.000

Série : ADAPT



All dimensions are in mm.



| COMPONENTS | MATERIALS | PLATINGS (µm) |
|----------------|-----------------|--------------------------|
| BODY | BRASS | BBR 2 |
| CENTER CONTACT | BRASS | GOLD 1.3 OVER COPPER 2.5 |
| OUTER CONTACT | BRASS | BBR 2 |
| INSULATOR | PTFE | |
| GASKET | SILICONE RUBBER | |
| OTHERS PARTS | BRASS | BBR 2 |
| - | - | - |
| - | - | - |

Issue : 0528 E

In the effort to improve our products, we reserve the rights to make changes judged to be necessary.



QMA MALE - SMA MALE STRAIGHT ADAPTER

R191.910.000

Série : ADAPT

PACKAGING

| Standard | Unit | Other |
|----------|------|------------|
| 1 | - | Contact us |

SPECIFICATION

ELECTRICAL CHARACTERISTICS

| | | |
|---------------------------------|---------------|------------------------------|
| Impedance | | 50 Ω |
| Frequency | | 0-6 GHz |
| VSWR | 1.18 + | 0.000 x F(GHz) Maxi |
| Insertion loss | | 0.07 √F(GHz) dB Maxi |
| RF leakage | - (| *80 - F(GHz)) dB Maxi |
| Voltage rating | | 500 Veff Maxi |
| Dielectric withstanding voltage | | 1000 Veff mini |
| Insulation resistance | | 5000 MΩ mini |

ENVIRONMENTAL

| | |
|---------------|---------------------|
| Operating | -40/+80 °C |
| Hermetic seal | NA Atm.cm3/s |
| Panel leakage | NA |

MECHANICAL CHARACTERISTICS

| | | |
|----------------------------|--|----------------------|
| Center contact retention | | |
| Axial force – Mating end | | 27 N mini |
| Axial force – Opposite end | | 27 N mini |
| Torque | | 2.8 N.cm mini |

Recommended torque

| | | |
|-----------|-------------|----------------|
| Mating | QMA | 0 N.cm |
| | SMA- | 60 N.cm |
| | COM | 0 N.cm |
| Panel nut | | N.cm |

| | |
|-------------|------------------------|
| Mating life | 100 Cycles mini |
| Weight | 7.150 g |

OTHERS CHARACTERISTICS

*RF Leakage Interf. only :3<F<6GHz >70dB

** <-120dBc at 1.8GHz (2x20W)

Issue : 0528 E

In the effort to improve our products, we reserve the rights to make changes judged to be necessary.



RADIALL®